

July 18th, 2023

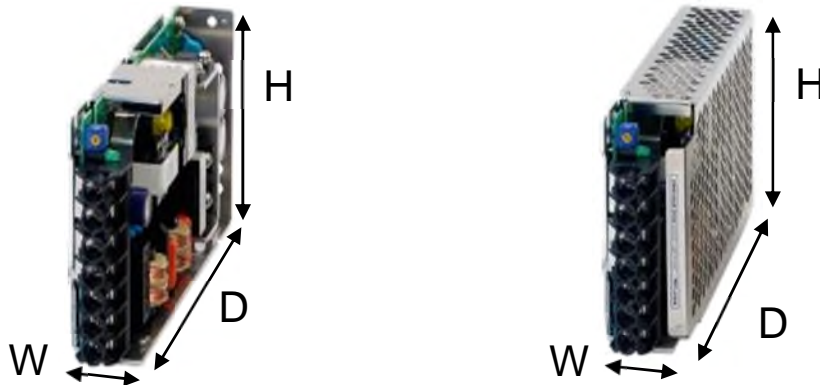
Product Change Notification

Title: PCN #2023008 TDK-Lambda Americas Inc. HWS80A and HWS100A case dimension change

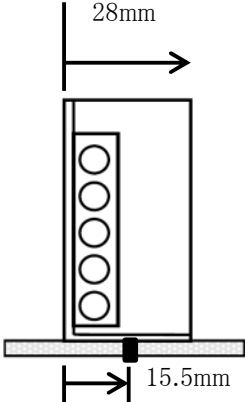
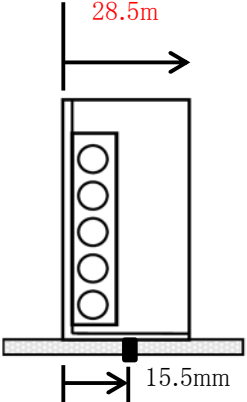
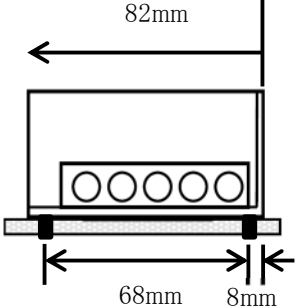
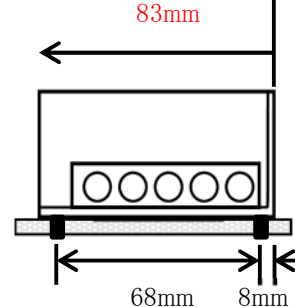
Please be informed that there will be small dimension increases to TDK-Lambda’s HWS80A and HWS100A series of AC-DC power supplies. This will take place after October 2023 and is being implemented to improve vibration performance.

Models impacted			
HWS80A-15/A	HWS100A-12/RA	HWS100A-24/HDA	HWS100A-5/A
HWS80A-24	HWS100A-15/A	HWS100A-24/ME	HWS100A-5/HD
HWS80A-24/A	HWS100A-15/HD	HWS100A-24/RA	HWS100A-5/HDA
HWS80A-5/A	HWS100A-15/HDA	HWS100A-3/A	HWS100A-5/ME
HWS100A-12	HWS100A-15/ME	HWS100A-3/HD	HWS100A-5/MEA
HWS100A-12/A	HWS100A-15/MEA	HWS100A-48/A	HWS100A-5/R
HWS100A-12/HD	HWS100A-24	HWS100A-48/HD	HWS100A12/MEA
HWS100A-12/HDA	HWS100A-24/A	HWS100A-48/ME	-
HWS100A-12/ME	HWS100A-24/HD	HWS100A-5	-

There is no change to product price, function or mounting hole locations and our current standard safety certifications are not impacted. Note that in the Americas the HWS80A model is not traditionally sold or offered.)



HWS80/100A	Before Change			After Change		
	Width (W)	Height (H)	Depth (D)	Width (W)	Height (H)	Depth (D)
No cover	28	82	160	28.5	83	160.5
With cover /A	33	82	160	33.5	83	160.5
Tolerance +/- 1mm						

Mounting	Before	After
(A)		
(B)		

Revised outline drawings can be found on these two links:

Model with cover: https://product.tdk.com/system/files/dam/doc/product/power/switching-power/ac-dc-converter/2doutline_pdf/hws100a_a_out.pdf

Model without cover: https://product.tdk.com/system/files/dam/doc/product/power/switching-power/ac-dc-converter/2doutline_pdf/hws100a_out.pdf

For any other questions concerning this notification, contact your local sales office or TDK-Lambda Americas Inc. customer service.



Tom Tillman
Director of Marketing